



Wafer Type Stainless
Steel Check Valve

Type 654





Type 654 Series

Wafer Type Stainless Steel Check Valve

Butterfly valves are widely used in industrial process control as they take up less space in the pipelines, enable excellent sealing in both directions, cost less than other valve types, have low torque and are easy to assemble actuators.

Butterfly valves are safely used in Water Treatment, Chemical Process, Oil & Gas Industry, Power Generation, Swimming Pool, HVAC, Pulp & Paper, Steel Industry, Beverage & Food, Transportation, Bulk Handling, Irrigation, Mining, Marine, Plating Industry and Textile.

Wafer Type Stainless Steel
Check Valve

Type 654

1/2" ~ 8"
(DN15 ~ DN200)

With its short
installation
length it can be
installed easily

DIN, ANSI,
JIS Norms

100% tightness
testing before
shipment,

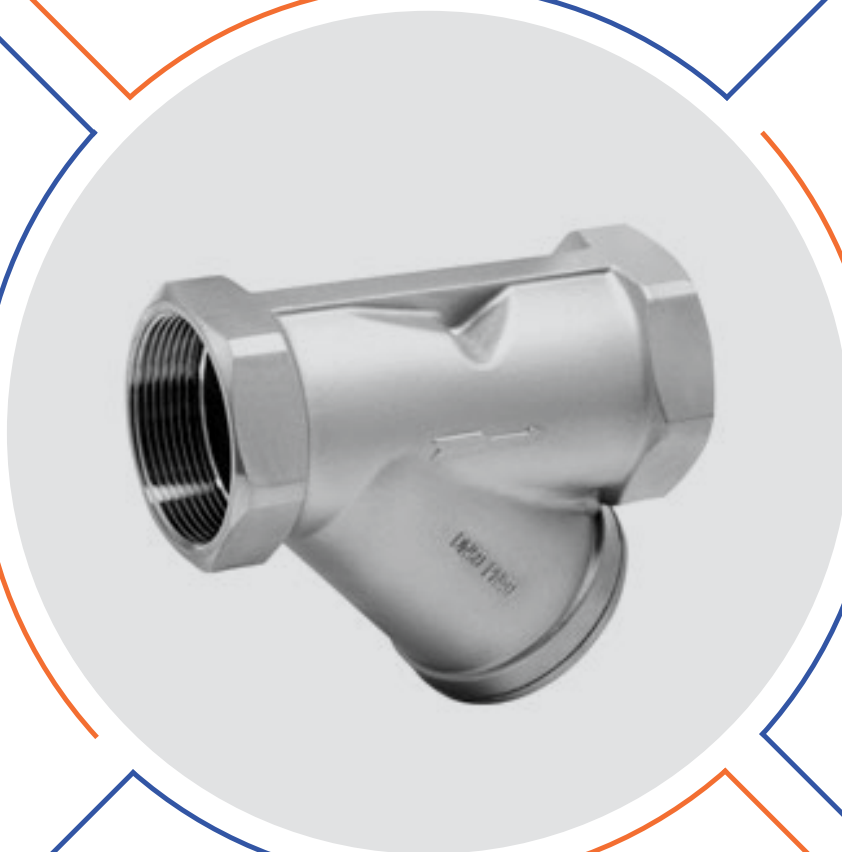
GB12221
Norms,

Specially
designed for
heavy industrial
applications

Effective for
preventing minor
leakage

It can be used
at horizontal and
vertical positions

No maintenance
needed



Application Area



CHEMICAL PROSESS



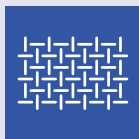
WATER TREATMENT



MARINE



MINING



TEXTILE



PULP & PAPER



STEEL INDUSTRY



TRANSPORTATION



OIL & GAS INDUSTRY



BEVERAGE & FOOD



HVAC



PLATING INDUSTRY



IRRIGATION



POWER GENERATION



SWIMMING POOL

Product Standards



Design

GB12224

Face To Face

GB12221

Testing

JB9092

Nominal Pressure

25 Bar

Certification

CE

Acc. To Directive 97/23/EC (Module-H)

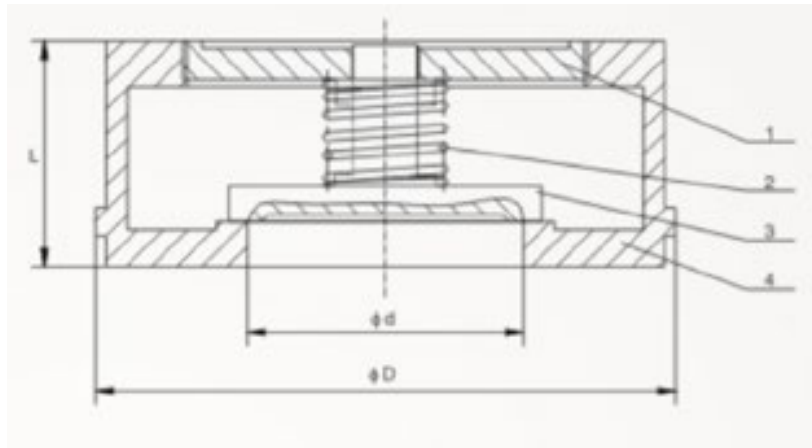
ISO

ISO 9001:2015

A close-up, monochromatic photograph of industrial valves and fittings, likely made of metal, arranged in a row. The image is overlaid with a semi-transparent blue filter. The text 'Your flow solutions partner' is prominently displayed in the upper left quadrant.

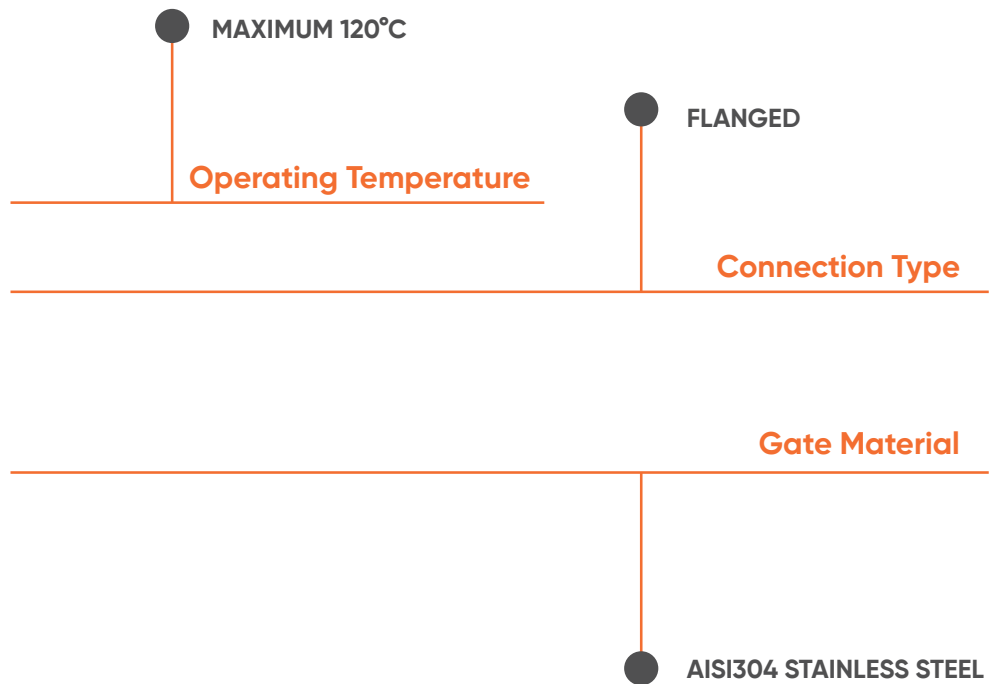
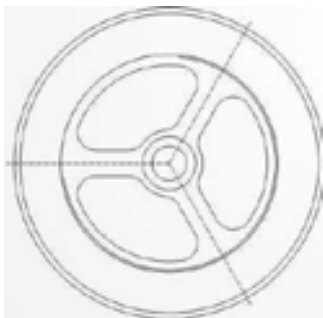
Your flow solutions partner

Material Specifications



| No | Part Name | Material |
|----|---------------|---|
| 1 | Bonnet | CF8 / CF8M |
| 2 | Spring | AISI 304 Stainless Stain / AISI 316 Stainless Stain |
| 3 | Disc | CF8 / CF8M |
| 4 | Body | CF8 / CF8M |

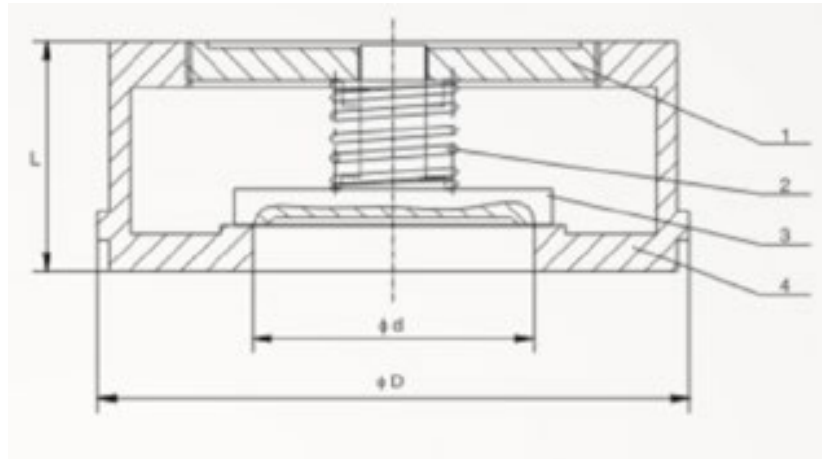
Material Options





***Quality made
accessible...***

Dimensions



| Size | | | Pressure Class | Face to face | Dimensions | | Weight |
|--------|----------|-------|----------------|--------------|------------|------|--------|
| d (mm) | R (Inch) | DN | Bar | L | Ød | ØD | EPDM |
| 20 | ½" | DN15 | PN25 | 25 | 15 | 48 | 0,24 |
| 25 | ¾" | DN20 | PN25 | 28 | 20 | 58 | 0,35 |
| 32 | 1" | DN25 | PN25 | 28 | 25 | 68,5 | 0,53 |
| 40 | 1¼" | DN32 | PN25 | 30 | 32 | 79 | 0,80 |
| 50 | 1½" | DN40 | PN25 | 35 | 38 | 87 | 1,13 |
| 63 | 2" | DN50 | PN25 | 40 | 49 | 103 | 1,66 |
| 75 | 2½" | DN65 | PN25 | 49 | 60 | 124 | -- |
| 90 | 3" | DN80 | PN25 | 57 | 70 | 138 | -- |
| 110 | 4" | DN100 | PN25 | 68 | 91 | 161 | -- |
| 140 | 5" | DN125 | PN25 | 78 | 117 | 185 | -- |
| 160 | 6" | DN150 | PN25 | 95 | 137 | 207 | -- |
| 225 | 8" | DN200 | PN25 | 110 | 190 | 272 | -- |



Distributor:
DELTA MARIN TRADE S.R.L.
Str. Traian 68A 900718
Constantza / Romania
T. +40 722 776 497
info@deltamarin.ro
www.deltamarin.ro

COMO VALVE B.V.
Kiotoweg 737 3047BG
Rotterdam / Netherlands
T. +31 (0) 103 166 111
info@comovalve.com
www.comovalve.com