



Industrial Type
Thermoplastic Foot Valve

Type 630





Type 630 Series

Industrial Type Thermoplastic Foot Valve

Butterfly valves are widely used in industrial process control as they take up less space in the pipelines, enable excellent sealing in both directions, cost less than other valve types, have low torque and are easy to assemble actuators.

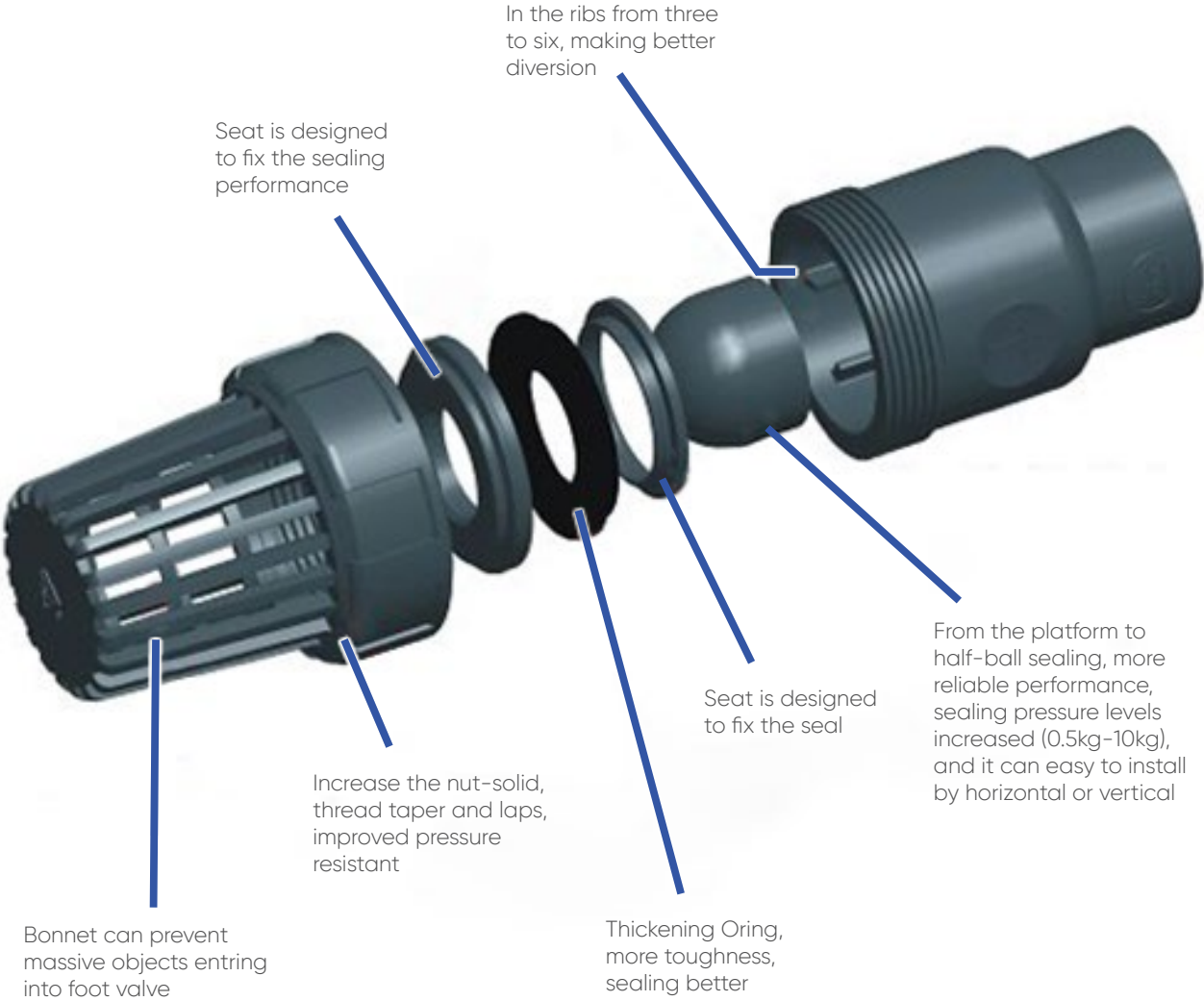
Butterfly valves are safely used in Water Treatment, Chemical Process, Oil & Gas Industry, Power Generation, Swimming Pool, HVAC, Pulp & Paper, Steel Industry, Beverage & Food, Transportation, Bulk Handling, Irrigation, Mining, Marine, Plating Industry and Textile.

Industrial Type
Thermoplastic Foot Valve

Type 630



Key Design Features



Application Area



CHEMICAL PROSESS



WATER TREATMENT



MARINE



MINING



TEXTILE



PULP & PAPER



STEEL INDUSTRY



TRANSPORTATION



OIL & GAS INDUSTRY



BEVERAGE & FOOD



HVAC



PLATING INDUSTRY



IRRIGATION



POWER GENERATION



SWIMMING POOL

Product Standards



Coupling System Solvent Welding

EN ISO 1452 (U-PVC),
EN ISO 15493 (U-PVC / C-PVC),
BS 4346-1(U-PVC),
DIN 8063 (U-PVC),
NF T54-028 (U-PVC),
ASTM D 2467 (U-PVC),
JIS K 6743 (U-PVC),
ASTM F 439 (C-PVC).

Reference System Construction Criteria

EN ISO 16138,
EN ISO 1452,
EN ISO 15493 (U-PVC / C-PVC)

Test Methods And Requirements Installation Criteria

ISO 9393 (U-PVC / C-PVC)
DVS 2204, DVS 2221,
UNI 11242 (U-PVC / C-PVC)

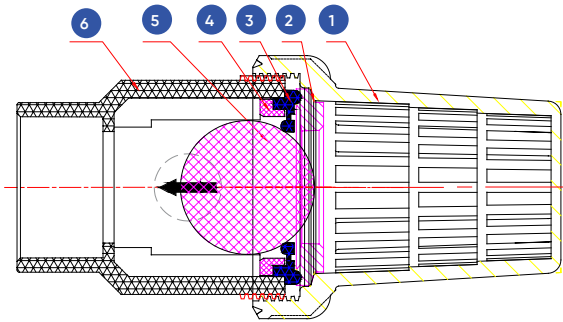
Certification CE ISO

Acc. To Directive 97/23/EC (Module-H)
ISO 9001:2015

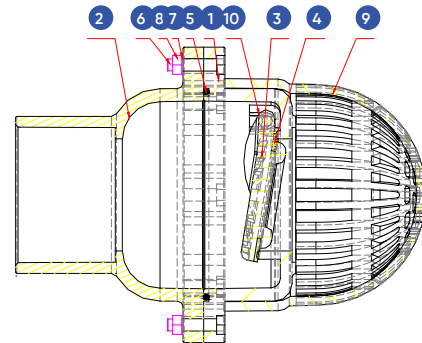


***We've
been
around...***

Dimensions



1/2" ~ 2" (DN15 ~ DN50)



2 1/2" ~ 6" (DN65 ~ DN150)

Item	Part	Material	Qty
01	Valve Bonnet	U-PVC / C-PVC / PP-H	1
02	Bottom Valve Gasket	U-PVC / C-PVC / PP-H	1
03	Sealing Washer	EPDM / VITON	1
04	Gasket	U-PVC / C-PVC / PP-H	1
05	Ball	U-PVC / C-PVC / PP-H	1
06	Body	U-PVC / C-PVC / PP-H	1

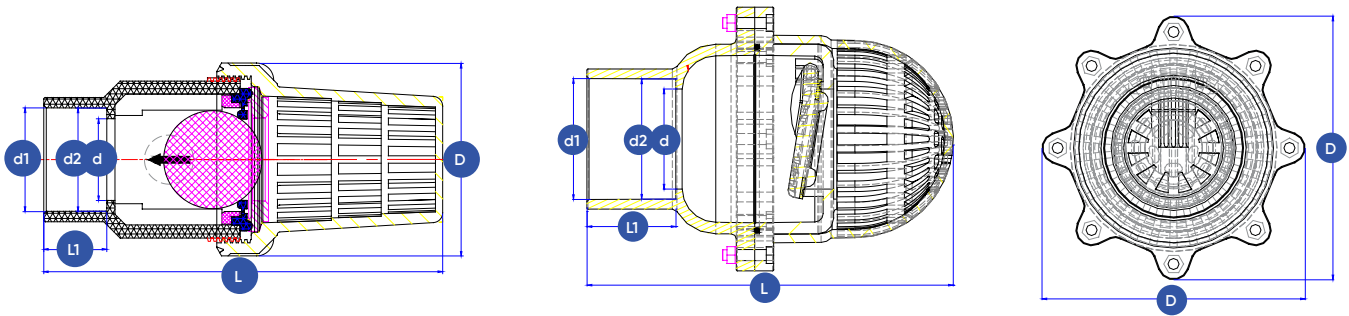
Item	Part	Material	Qty
01	Blow Body	U-PVC / C-PVC	1
02	Up Body	U-PVC / C-PVC	1
03	Valve Clack	U-PVC / C-PVC	1
04	Sealing Washer	EPDM	1
05	O-Ring	EPDM	1
06	Bolt	SUS 304	8 / 12
07	Bolt Washer	SUS 304	8 / 12
08	Nut	SUS 304	8 / 12
09	Mesh Enclosure	U-PVC / C-PVC	1
10	Clip	U-PVC / C-PVC	2

* For other dimensions please contact us.

** Optionally available in our PN16 option

www.deltamarin.ro

www.comovalve.com



1/2" ~ 2" (DN15 ~ DN50)

2 1/2" ~ 6" (DN65 ~ DN150)

Size			Face To Face	Dimensions				Weight
d mm	R Inch	DN mm	L	L1	d1	d2	D	KG
20	1/2"	DN15	91	23	20,25	20,05	54	0,16
25	3/4"	DN20	106,5	26	25,25	25,05	63	0,22
32	1"	DN25	125	29	32,25	32,05	73,5	0,28
40	1 1/4"	DN32	141	33	40,25	40,05	84,5	0,41
50	1 1/2"	DN40	150,5	35,5	50,25	50,05	98	0,619
63	2"	DN50	169,5	38,5	63,25	63,05	119	1,01
75	2 1/2"	DN65	295	64,5	75,25	75,05	150	2
90	3"	DN80	335	70	90,35	90,05	169	2,84
110	4"	DN100	321,5	62	110,45	109,9	250	4,75
140	5"	DN125	410	85	140,5	140,2	265	6,15
160	6"	DN150	445	86,5	160,5	160,2	290	7,5

* For other dimensions please contact us.

** Optionally available in our PN16 option



Distributor:
DELTA MARIN TRADE S.R.L.
Str. Traian 68A 900718
Constantza / Romania
T. +40 722 776 497
info@deltamarin.ro
www.deltamarin.ro

COMO VALVE B.V.
Kiotoweg 737 3047BG
Rotterdam / Netherlands
T. +31 (0) 103 166 111
info@comovalve.com
www.comovalve.com