



Industrial Type Thermoplastic
Ball Check Valve

Type 610





Type 610 Series

Industrial Type Thermoplastic Ball Check Valve

Butterfly valves are widely used in industrial process control as they take up less space in the pipelines, enable excellent sealing in both directions, cost less than other valve types, have low torque and are easy to assemble actuators.

Butterfly valves are safely used in Water Treatment, Chemical Proses, Oil & Gas Industry, Power Generation, Swimming Pool, HVAC, Pulp & Paper, Steel Industry, Beverage & Food, Transportation, Bulk Handling, Irrigation, Mining, Marine, Plating Industry and Textile.

Industrial Type Thermoplastic Ball Check Valve

Type 610

DIN, ANSI,
JIS norms,

1/2" ~ 4"
(DN15 ~ DN100)

CaCO₃ calcite
free 100% pure
virgin material

Drinking water
standards,

Double O-Ring
shaft design,

UV resistant
powder added,

Friction and
wearing
resistance
PTFE(Teflon) ball
seal,

Specially designed
for heavy industrial
applications,

Safe mounting
with a special
locking ball
system,

Against to sunrays
UV protective
powder added

Water
applications
EPDM O-Ring,
Asidic
applications
VITON O-Ring
alternatives,

Improved specially
designed for
heavy industrial
applications.



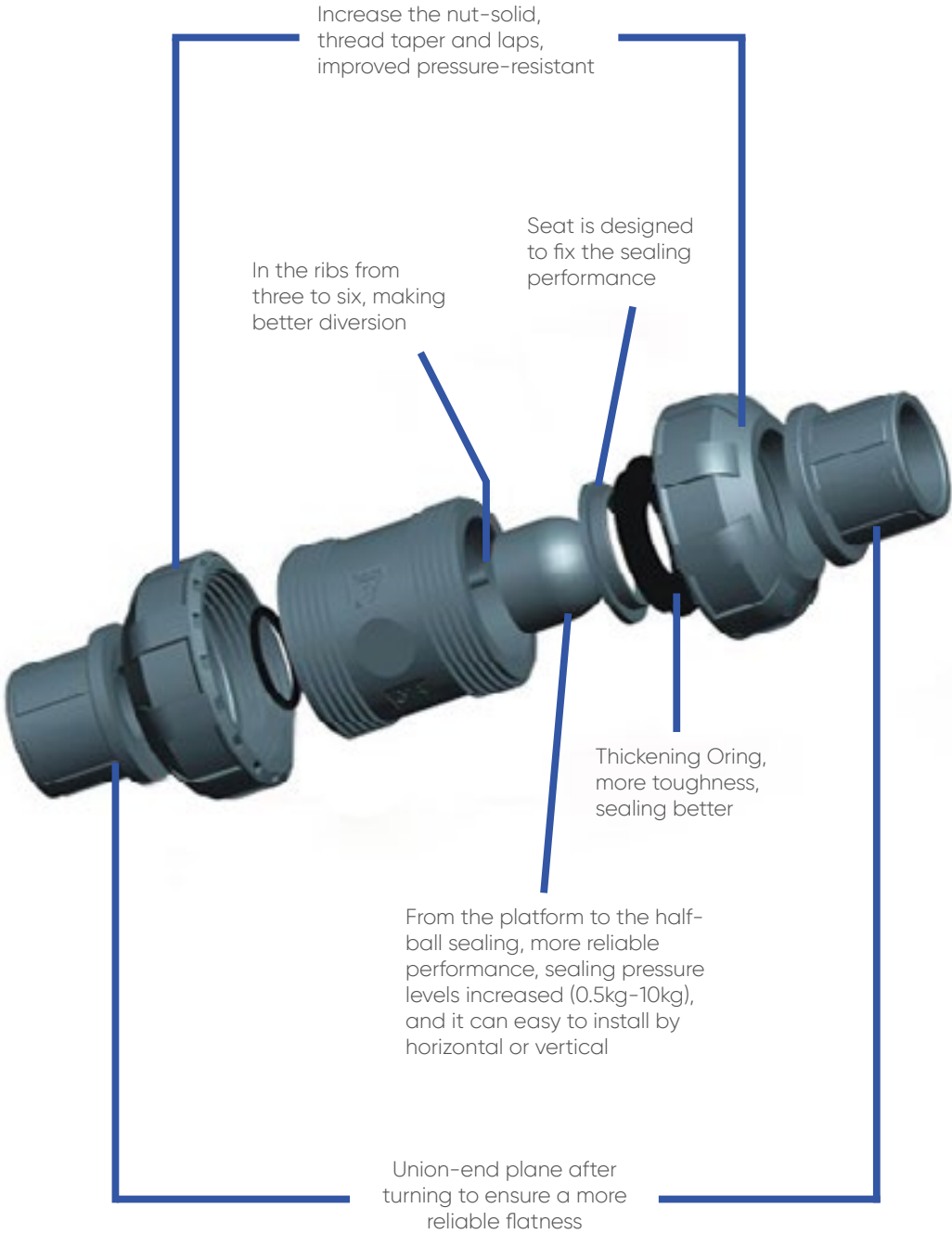
100% tightness
testing before
shipment,

Reducing the wearing of PTFE
seat with back-up O-Ring for
frequently opening/closing
applications,

Can be assembled
vertically or
horizontally

Working pressure
Max:10 Bar

Key Design Features



Application Area



CHEMICAL PROSESS



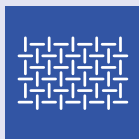
WATER TREATMENT



MARINE



MINING



TEXTILE



PULP & PAPER



STEEL INDUSTRY



TRANSPORTATION



OIL & GAS INDUSTRY



BEVERAGE & FOOD



HVAC



PLATING INDUSTRY



IRRIGATION



POWER GENERATION



SWIMMING POOL

Product Standards



A) U-PVC Coupling System Solvent Welding

Thread Flanging System

Reference System Construction Criteria Test Methods And Requirements Installation criteria

EN ISO 1452, EN ISO 15493, BS 4346-1, DIN 8063, NF T54-028, ASTM D 2467, JIS K 6743. Pipe coupling capacity according to EN ISO 1452, EN ISO 15493, DIN 8062, NF T54-016, ASTM D 1785, JIS K 6741 ISO 228-1, DIN 2999, ASTM D 2464, JIS B 0203 ISO 7005-1, EN ISO 1452, EN ISO 15493, EN 558-1, DIN 2501, ANSI B16.5 Cl.150, JIS B2220

EN ISO 16138, EN ISO 1452, EN ISO 15493

ISO 9393
DVS 2204, DVS 2221, UNI 11242

B) C-PVC Coupling Solvent Welding

Thread Flanging System Reference Construction Criteria Test Methods And Requirements Installation criteria:

EN ISO 15493, ASTM F 439. Can be coupled to pipes according to EN ISO 15493, ASTM F 441 ISO 228-1, DIN 2999 ISO 7005-1, EN ISO 15493, EN 558-1, DIN 2501, ANSI B16.5 Cl.150

EN ISO 16138, EN ISO 1452, EN ISO 15493

ISO 9393
DVS 2204, DVS 2221, UNI 11242

C) PP-H Coupling Welding Thread Flanging System Reference Construction Criteria Test Methods And Requirements Installation criteria:

EN ISO 15494. Can be coupled to pipes according to EN ISO 15494 ISO 228-1, DIN 2999 ISO 7005-1, EN 1092-1, EN ISO 15494, EN 558-1, DIN 2501, ANSI B16.5 cl.150

EN ISO 16138, EN ISO 15494

ISO 9393
DVS 2202-1, DVS 2207-11, DVS 2208-1, UNI 11318

D) PVDF Coupling Welding Flanging System Reference Construction Criteria Test Methods And Requirements Installation criteria

EN ISO 10931. Can be coupled to pipes according to EN ISO 10931 ISO 7005-1, EN ISO 10931, EN 558-1, DIN 2501, ANSI B16.5 Cl.150

EN ISO 16138, EN ISO 10931

ISO 9393
DVS 2201-1, DVS 2207-15, DVS 2208-1

Nominal Pressure Certification CE ISO

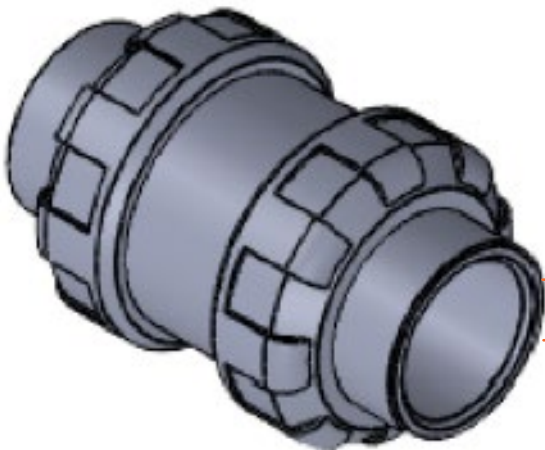
10 Bar

Acc. To Directive 97/23/EC (Module-H)
ISO 9001:2015



***We've
been
around...***

Material Options



- U-PVC
- C-PVC
- PP-H
- PVDF
- TRANSPARENT-PVC

Body Material

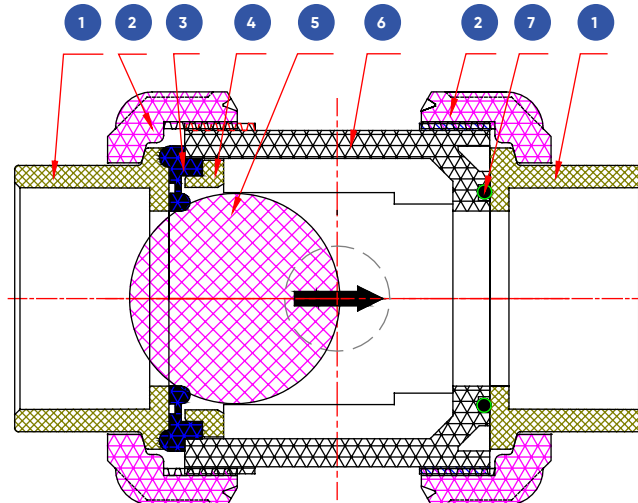
Seat Material

- VITON
- EPDM

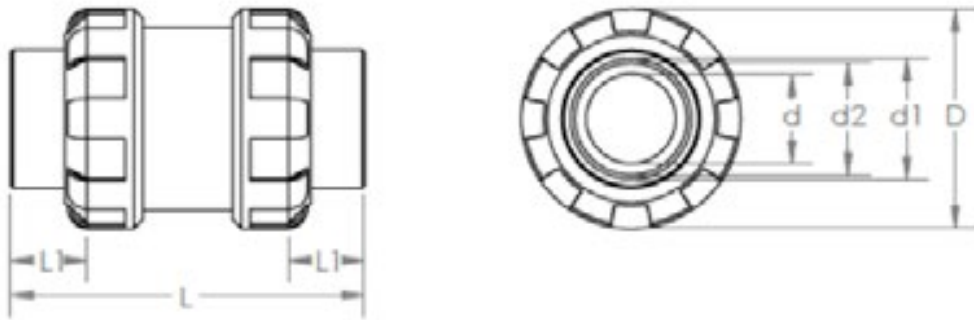
Material Specifications



Technical Data



Item	Part	Material	Qty
1	Socket	U-PVC / C-PVC / PP-H / PVDF / CLEAR PVC	2
2	Nut	U-PVC / C-PVC / PP-H / PVDF / CLEAR PVC	2
3	Sealing Washer	EPDM / VITON	1
4	Gasket	U-PVC / C-PVC / PP-H / PVDF / CLEAR PVC	1
5	Ball	U-PVC / C-PVC / PP-H / PVDF / CLEAR PVC	1
6	Body	U-PVC / C-PVC / PP-H / PVDF / CLEAR PVC	1
7	O-Ring	EPDM / VITON	1



Size			Face To Face	Dimensions				Weight
d mm	R Inch	DN mm	L	L1	d1	d2	D	KG
20	½"	DN15	96	22,3	20,3	20,1	54	0,148
25	¾"	DN20	112	25,5	25,3	25,1	63	0,19
32	1"	DN25	129	28,6	32,3	32,1	73,5	0,3
40	1¼"	DN32	146	32	40,3	40,1	84,5	0,46
50	1½"	DN40	158,5	35	50,3	50,1	98	0,675
63	2"	DN50	167	38	63,3	63,1	119	1,08
75	2½"	DN65	211	44	75,3	75,1	157	2,6
90	3"	DN80	248	51	90,3	90,1	174	3,3
110	4"	DN100	283	61	110,3	110,1	212	5,77

* For other dimensions please contact us.

** Optionally available in our PN16 option



Distributor:
DELTA MARIN TRADE S.R.L.
Str. Traian 68A 900718
Constantza / Romania
T. +40 722 776 497
info@deltamarin.ro
www.deltamarin.ro

COMO VALVE B.V.
Kiotoweg 737 3047BG
Rotterdam / Netherlands
T. +31 (0) 103 166 111
info@comovalve.com
www.comovalve.com