



2PC Threaded End
Stainless Steel Ball Valve

Type 222





Type 222 Series

2PC Threaded End Stainless Steel Ball Valve

Butterfly valves are widely used in industrial process control as they take up less space in the pipelines, enable excellent sealing in both directions, cost less than other valve types, have low torque and are easy to assemble actuators.

Butterfly valves are safely used in Water Treatment, Chemical Process, Oil & Gas Industry, Power Generation, Swimming Pool, HVAC, Pulp & Paper, Steel Industry, Beverage & Food, Transportation, Bulk Handling, Irrigation, Mining, Marine, Plating Industry and Textile.

2PC Threaded End
Stainless Steel Ball Valve

Type 222

1/4" ~ 4" (DN10 ~
DN100)

One piece
body takes up
less space,

Anti-static ball
shaft and body
design,

ISO5211
according to
directly
assembled
actuators top
flanged,

DIN3202-M3
Norms

Friction and
wearing
resistance PTFE
(Teflon) ball seal,

Reducing the wearing of PTFE
seat with back-up O-Ring for
frequently opening/closing
applications,

Specially designed
for heavy industrial
applications,

DIN, ANSI, JIS
Norms



Application Area



CHEMICAL PROSESS



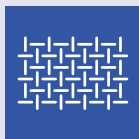
WATER TREATMENT



MARINE



MINING



TEXTILE



PULP & PAPER



STEEL INDUSTRY



TRANSPORTATION



OIL & GAS INDUSTRY



BEVERAGE & FOOD



HVAC



PLATING INDUSTRY



IRRIGATION



POWER GENERATION



SWIMMING POOL

Product Standards



Desing

DIN3357

Face To Face

DIN3202-M3

End Threaded

DIN259 / DIN 2999

Testing

DIN3230 / EN12266

Nominal Pressure

63 Bar

Certification

CE

Acc. To Directive 97/23/EC (Module-H)

ISO

ISO 9001:2015

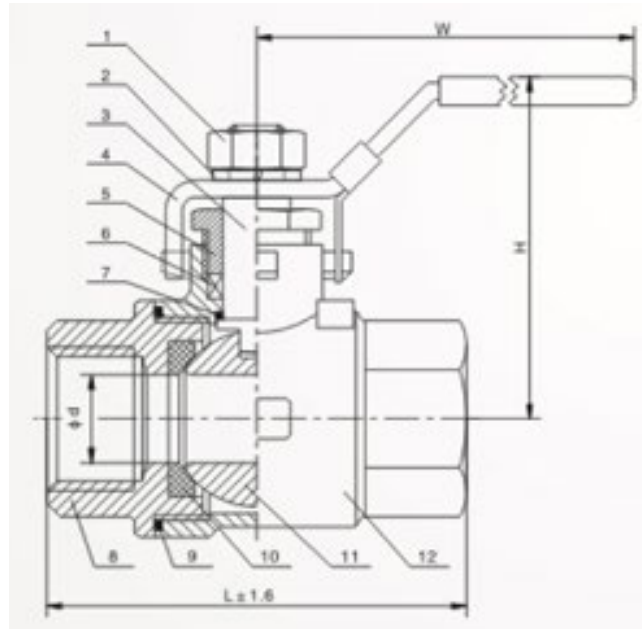


***Your flow
solutions
partner***

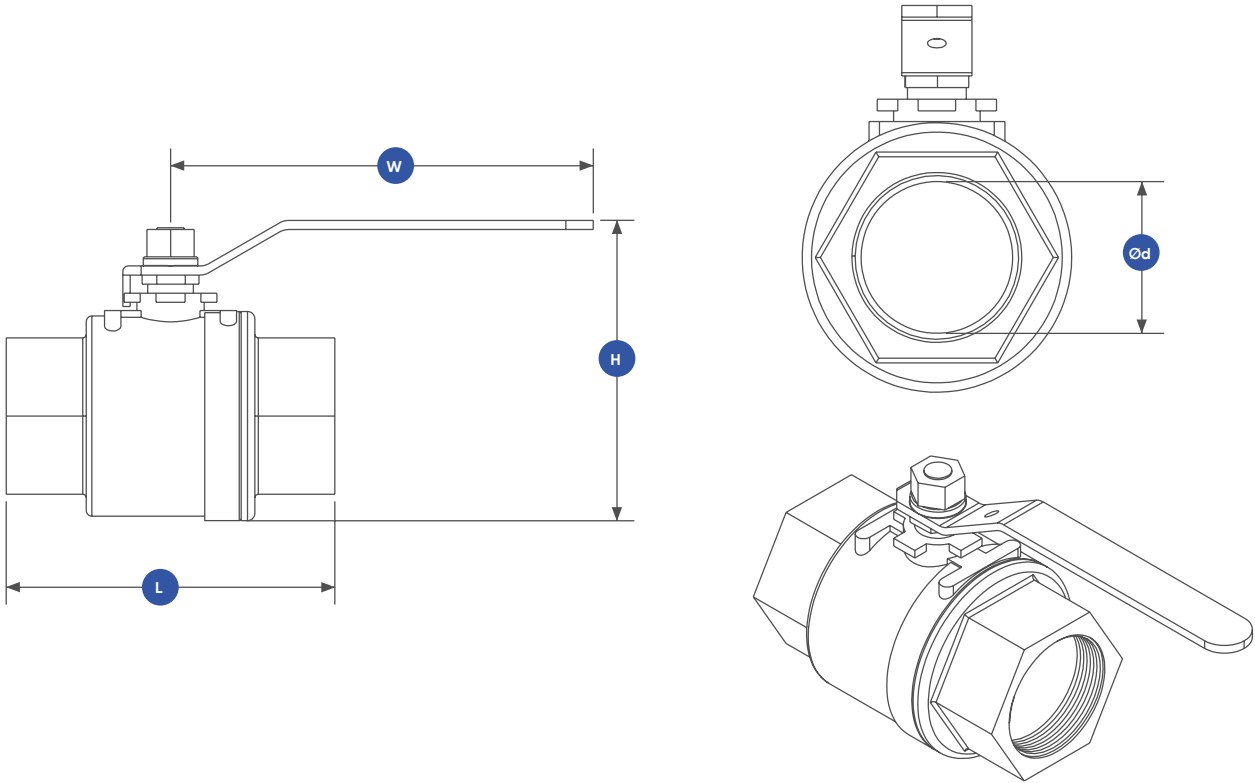
Material Specifications



Technical Data



Item	Part	Material
1	Nut	AISI 304 Stainless Stain / AISI 316 Stainless Stain
2	Spring Washer	AISI 304 Stainless Stain / AISI 316 Stainless Stain
3	Stem	AISI 304 Stainless Stain / AISI 316 Stainless Stain
4	Handle	AISI 304 Stainless Stain / AISI 316 Stainless Stain
5	Gland Nut	AISI 304 Stainless Stain / AISI 316 Stainless Stain
6	Packing	PTFE (Teflon)
7	Thrust Gasket	PTFE (Teflon)
8	Bonnet	CF8 / CF8M
9	Gasket	PTFE (Teflon)
10	Seat	PTFE (Teflon)
11	Ball	AISI 304 Stainless Stain / AISI 316 Stainless Stain
12	Body	CF8 / CF8M



Size			Face To Face	Dimensions			Operating Torque	Weight
d mm	R Inch	DN mm		L	Ød	H		
12	1/4"	DN10	50	12	65,8	90	11	0,26
16	3/8"	DN12	60	12	67,8	90	11	0,26
20	1/2"	DN15	75	15	71	105	14	0,34
25	3/4"	DN20	80	20	79,7	115	18	0,67
32	1"	DN25	90	25	94,4	120	22,5	1
40	1 1/4"	DN32	110	32	104,6	145	36	1,55
50	1 1/2"	DN40	120	38	125,8	175	41,5	2,35
63	2"	DN50	140	49	143,5	175	55	3,63
75	2 1/2"	DN65	185	65	180,7	210	89,75	4,65
90	3"	DN80	205	80	199,4	230	125	7,03
110	4"	DN100	240	100	235,6	300	175	13



Distributor:
DELTA MARIN TRADE S.R.L.
Str. Traian 68A 900718
Constantza / Romania
T. +40 722 776 497
info@deltamarin.ro
www.deltamarin.ro

COMO VALVE B.V.
Kiotoweg 737 3047BG
Rotterdam / Netherlands
T. +31 (0) 103 166 111
info@comovalve.com
www.comovalve.com